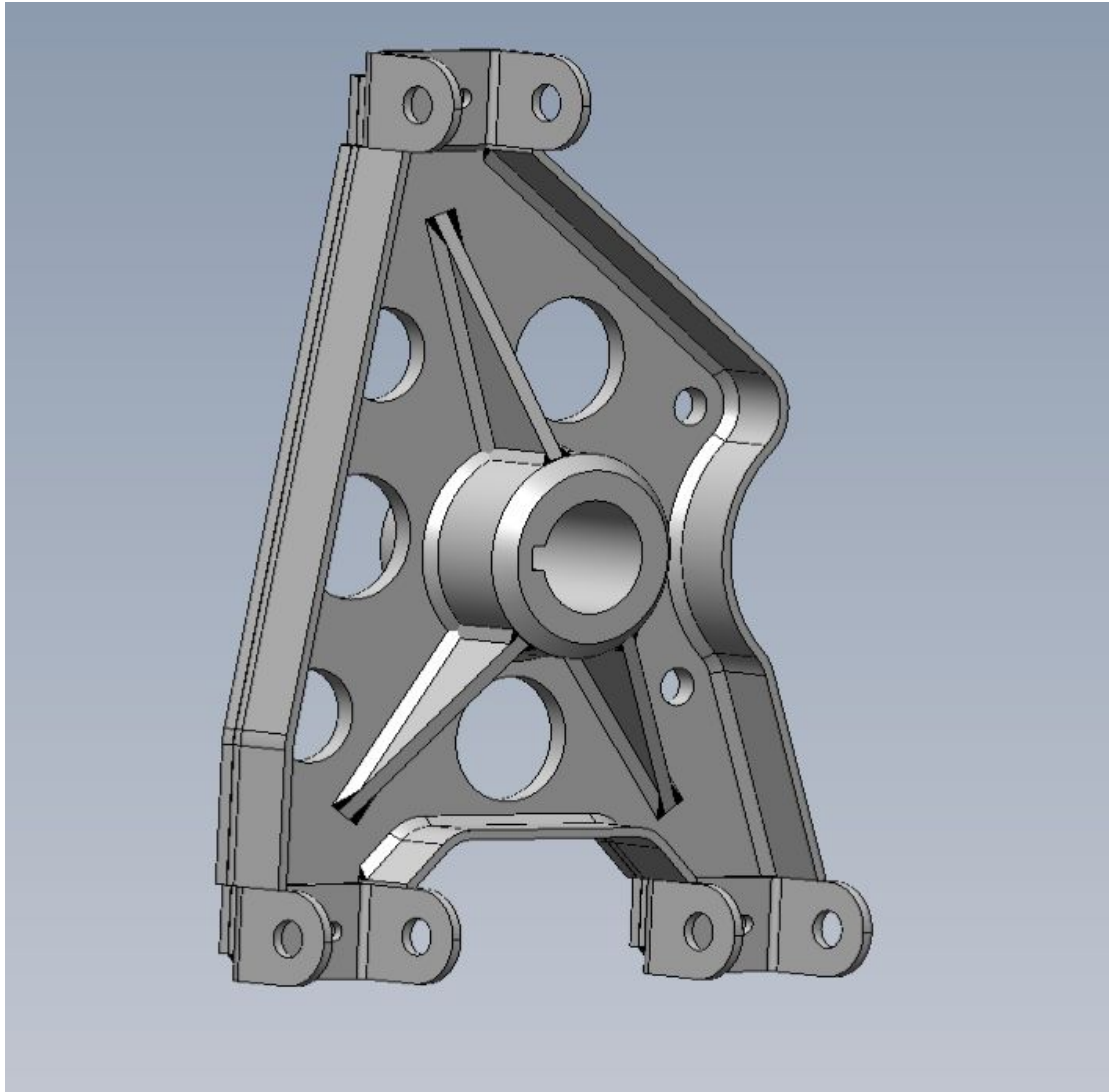
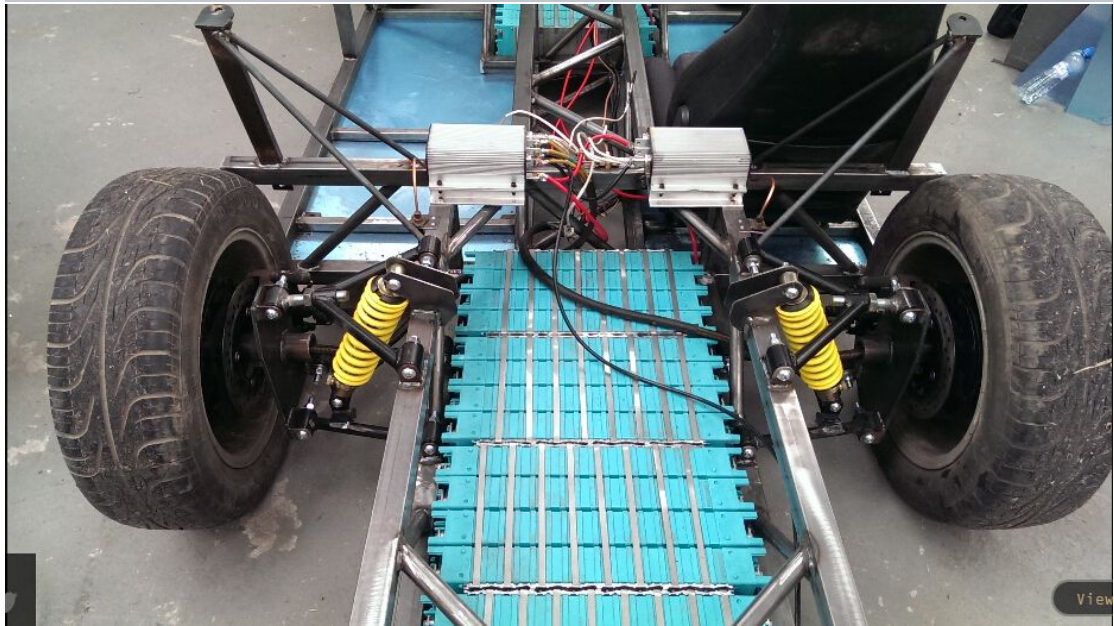
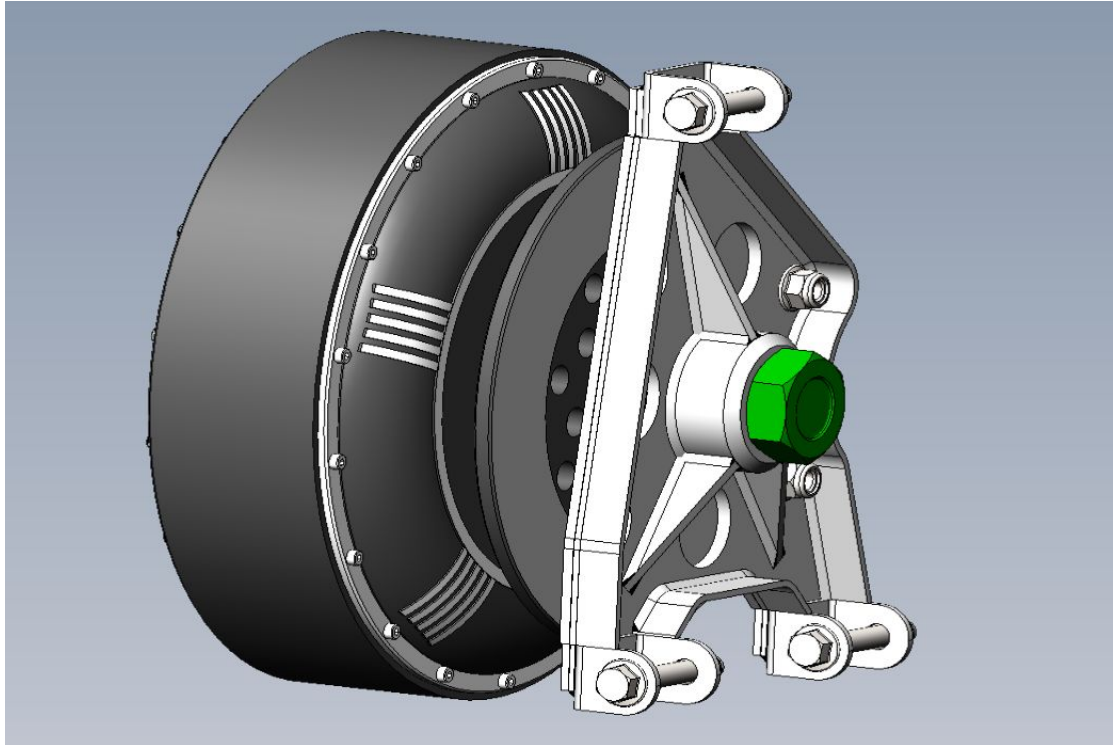


Installation Guide For Hub Motor On E-Car

We're in-wheel hub motor manufacture, it's a pity that we don't have detailed conversion/installation manual from gas to electric/hybrid car.

Here is "connector" drawing from one customer who are willing to sharing.







Here is some pic from another customer.



Qs Electric Car 8kW Hub Motor Test

<https://www.youtube.com/watch?v=GIYgeWST3RE&feature=youtu.be>



Mehari Loisirs Concept-E

<https://www.youtube.com/watch?v=DnK0JSpmXyU>



EMC Diffusion Video

<https://www.youtube.com/watch?v=lulGfWG6LF8>

The process of refit from gas car to electric car

It is an article from visforvoltage (forum), hope it's helpful.

<http://visforvoltage.org/forum/5603-process-modification-gas-car-electric-car>

After I wrote two blogs here to tell everyone that we have come out 7kw~10kw brushless hub motor with 60V/72V digital controller for electric car and we have modified one gas car to electric. Many friends are interested.

So now I submit the process of modification. Hope it can help everyone to know the difference between our electric car and others.

First, check the original rear axle and tear it down.



Second, cut two sides of the axle, the length of cut axle is the same as the width of the motor.



Third, add the frame for assembling the brake and motor to the axle.



4, Put the brake on.



5, Assemble the modified axle to the car.



At last, Put the motor to the brake and add the suitable wheel and tire.

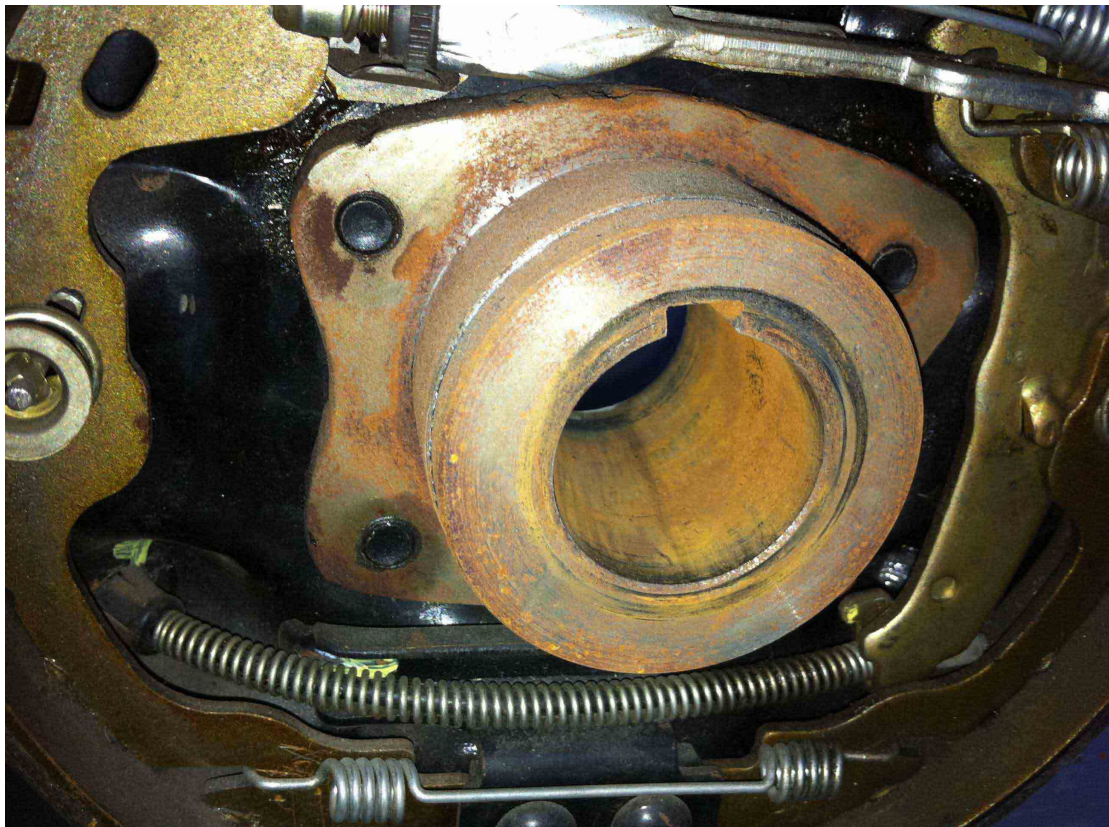


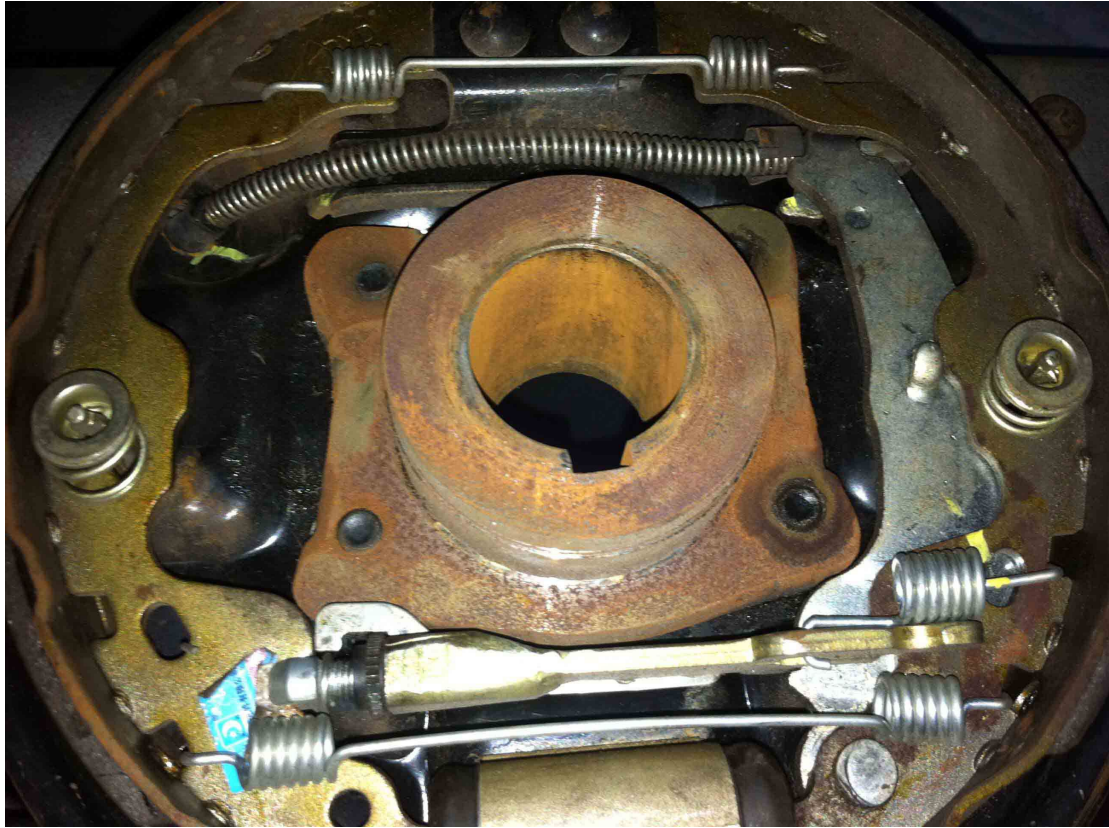
And then, you can drive the pure electric car with max speed of 80km/h on the road easily.

More pictures about Install hub motor









205 single-shaft hub motor with rear fork (E-scooter)







Contact Us:

Taizhou Quanshun Motor Co., Ltd.

Home Page:

<http://tzquanshun.en.alibaba.com/>

<http://qsmotor.en.alibaba.com/>

<http://www.aliexpress.com/store/1389549>

E-mail:

steven@tzquanshun.com

Phone:

+86 0576 8855 1619